



CF CREATORS OF DIGITAL AMBIENCE

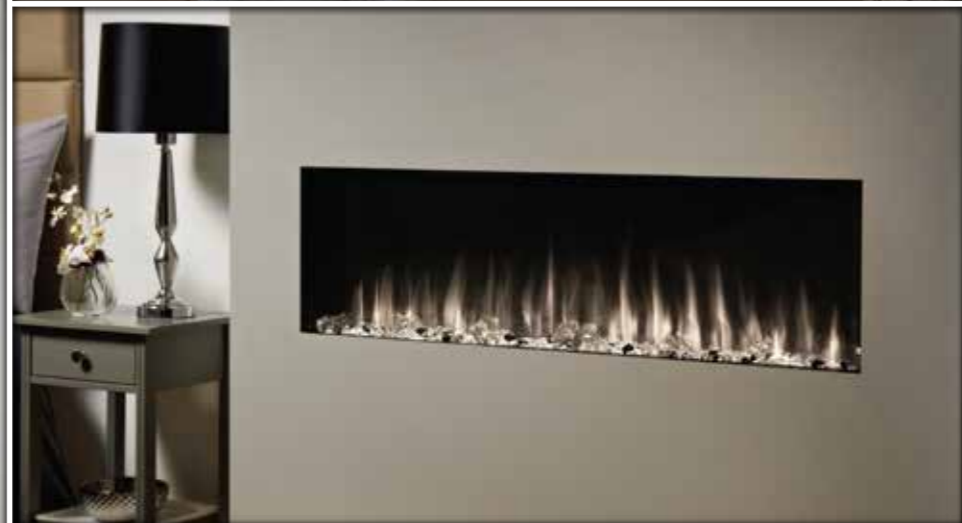
Our mission is to create unique luxury fireplaces from the finest materials available.

The Bespoke Fireplaces product development team have travelled the globe - sourcing the very finest materials and gathering inspiration - to develop the award winning, forward thinking product range we are proud to offer today.

Our 30,000 sqft state of the art UK manufacturing facility, sustainably manufactures our products and ensures total quality control from start to finish. Utilising the very latest CNC machinery and stone finishing equipment guarantees a perfect product. Every time.

This latest range of industry award winning designs incorporate some world first technical advances in fireplace and heating - including our unique **LUMIN Technology™**. *(page 34)*

Allow us to combine our beautiful 300million year old stone with one of our state of the art luxury electric fireplaces, to create your dream room today.



BF CONTENTS

LUXURY MARBLE SUITES

| | |
|---------------|----|
| Step Elite | 06 |
| Thompson Plus | 08 |
| Denver | 10 |
| Neptune | 12 |
| Isabelle | 14 |
| Vermont | 16 |
| Aspen | 18 |
| Aria | 20 |
| Miami | 22 |
| Chelsea | 24 |
| Roma | 26 |
| Milano | 28 |
| Lazio | 30 |
| Verona | 32 |

PANORAMIC ELECTRIC FIRES

| | |
|-------------------|----|
| LUMIN Technology™ | 34 |
| Panoramic 700 | 36 |
| Panoramic 1250 | 38 |
| Panoramic 1500 | 40 |
| Panoramic 2000 | 42 |

PREMIUM ELECTRIC FIRES

| | |
|-----------------|----|
| Bespoke 1170HD+ | 44 |
| Bespoke 890HD+ | 46 |
| Bespoke 640HD+ | 48 |

All dimensions are in millimetres
 Technical illustrations for guidance only
 Marble is a natural product - please see page 50

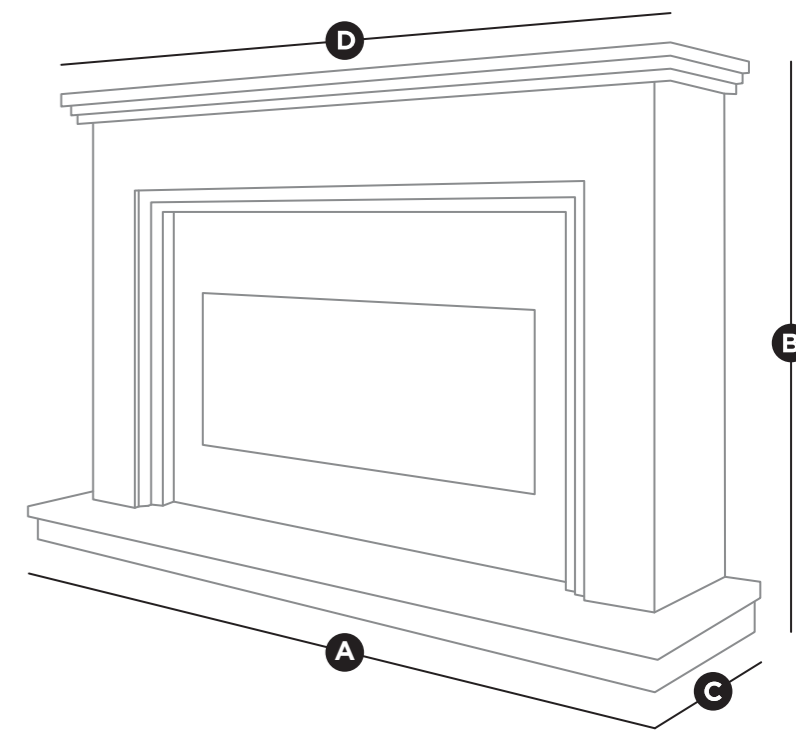
Step Elite 890 variant
in Polar White & Rehlvina

STEP ELITE

With smooth crisp lines and straight edging, the Step Elite suite is a luxury addition to any room.

True to its name, the triple mantle is the focal point, with its landscape design complementing both modern and traditional interiors.

Combine this piece with one of our Premium Electric HD+ fires to create your dream fireplace.



| MODEL | A | B | C | D |
|-------|------|------|-----|------|
| 640 | 1372 | 1143 | 432 | 1372 |
| 890 | 1524 | 974 | 432 | 1524 |
| 1170 | 1829 | 974 | 432 | 1829 |

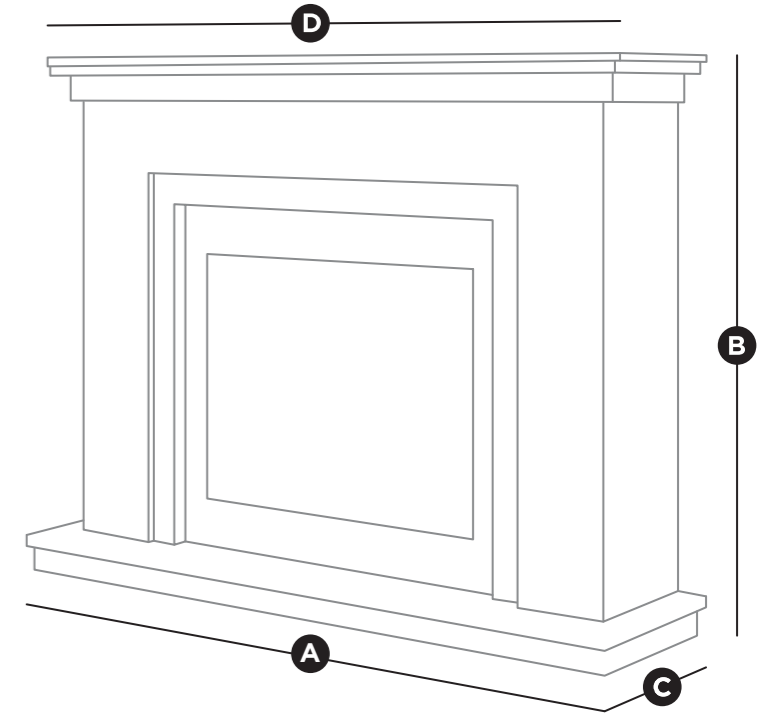


Thompson Plus 640 variant
in Polar White & Italian Grey

THOMPSON PLUS

With clean cut lines and a modern presence, the Thompson suite is pure class. Perfect if you are looking to add a touch of luxury, its timeless style makes a statement in any home.

Combine this piece with one of our Premium Electric HD+ fires to create your dream fireplace.



| MODEL | A | B | C | D |
|-------|------|------|-----|------|
| 640 | 1372 | 1073 | 381 | 1372 |
| 890 | 1524 | 996 | 381 | 1524 |
| 1170 | 1829 | 996 | 381 | 1829 |



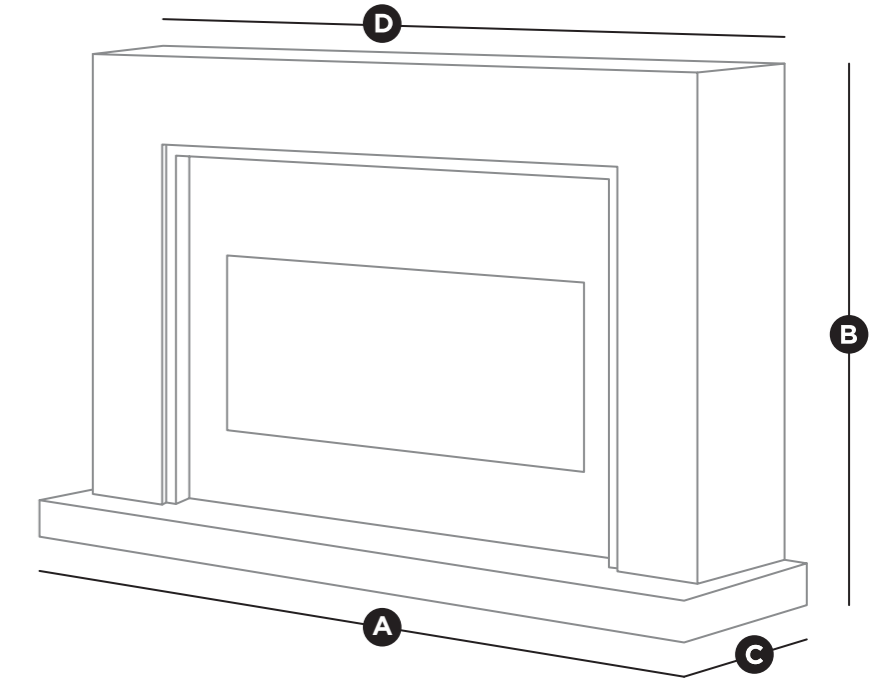
Denver 890 variant
in Polar White

BF DENVER

One of our most popular suites, the Denver combines simplicity with modern elegance.

The minimalist design allows it to fit perfectly into any room and integrated LED lights amplify its true beauty.

Combine this piece with one of our Premium Electric HD+ fires to create your dream fireplace.



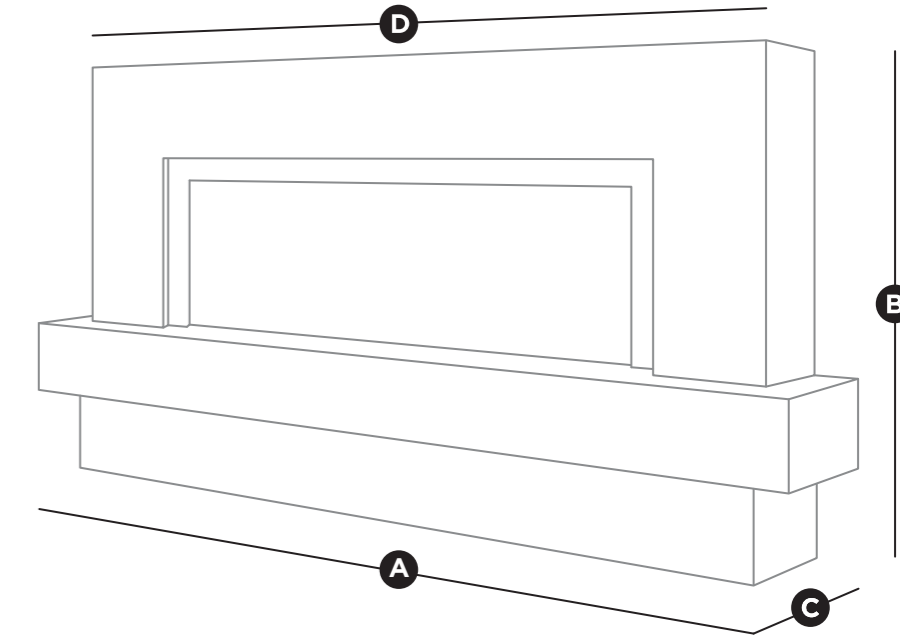
| MODEL | A | B | C | D |
|-------|------|------|-----|------|
| 640 | 1372 | 1029 | 381 | 1320 |
| 890 | 1524 | 940 | 381 | 1448 |
| 1170 | 1829 | 940 | 381 | 1752 |

Neptune 1170 variant
in Polar White & Italian Grey

NEPTUNE

True to its name, the Neptune suite is truly out of this world. Its floating design, with clean cut lines, is guaranteed to add luxury and wow to any home it graces.

Combine this piece with one of our Premium Electric HD+ fires to create your dream fireplace.



| MODEL | A | B | C | D |
|-------|------|------|-----|------|
| 640 | 1295 | 1019 | 305 | 1146 |
| 890 | 1524 | 848 | 305 | 1422 |
| 1170 | 1829 | 848 | 305 | 1676 |

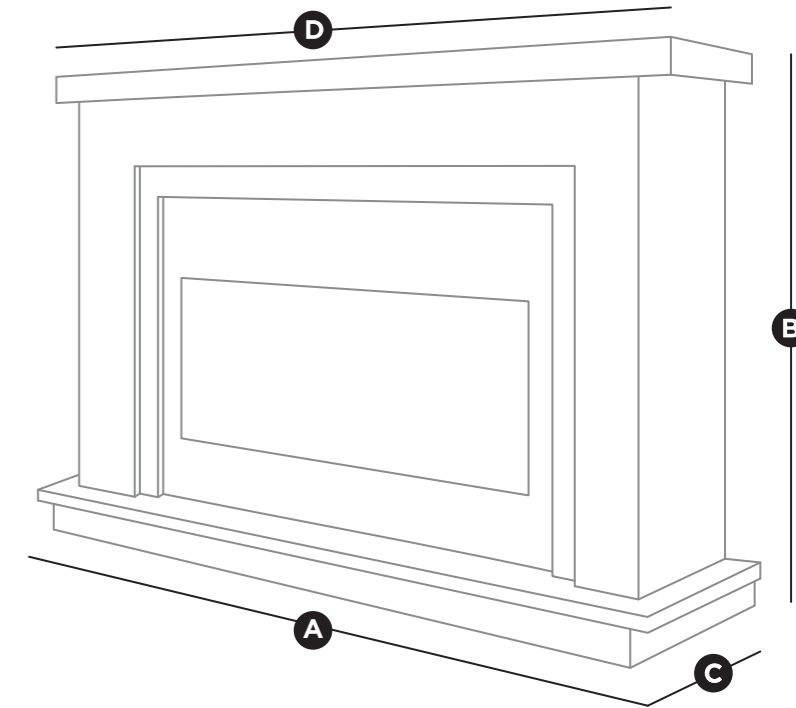
Isabelle 890 variant
in Semi Rijo



ISABELLE

The latest addition to our Bespoke Luxury range, the beautiful Isabelle suite is modern and clean cut to add complete luxury to the family home.

Combine this piece with one of our Premium Electric HD+ fires to create your dream fireplace.



| MODEL | A | B | C | D |
|-------|------|------|-----|------|
| 640 | 1372 | 1149 | 381 | 1372 |
| 890 | 1524 | 983 | 381 | 1524 |
| 1170 | 1829 | 983 | 381 | 1829 |

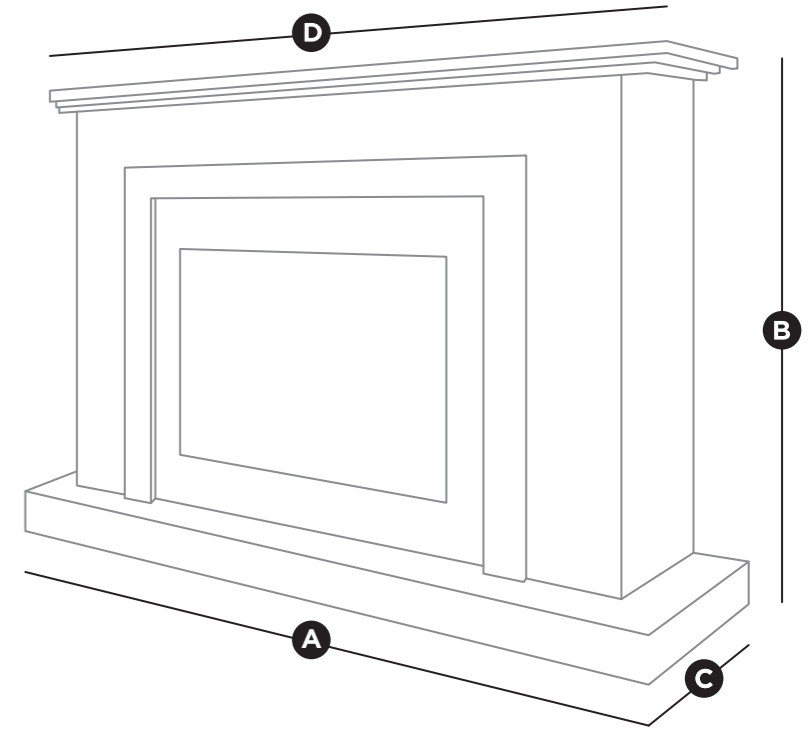


Vermont 640 variant
in Polar White & Rehlvina

VERMONT

Full of character - with simple lines and clean extruded edges - the Vermont suite effortlessly serves as a showpiece in modern or traditional homes.

Combine this piece with one of our Premium Electric HD+ fires to create your dream fireplace.



| MODEL | A | B | C | D |
|-------|------|------|-----|------|
| 640 | 1372 | 1029 | 381 | 1372 |
| 890 | 1524 | 978 | 381 | 1524 |
| 1170 | 1829 | 978 | 381 | 1829 |

Aspen 890 variant
in Polar White & Rehlvina

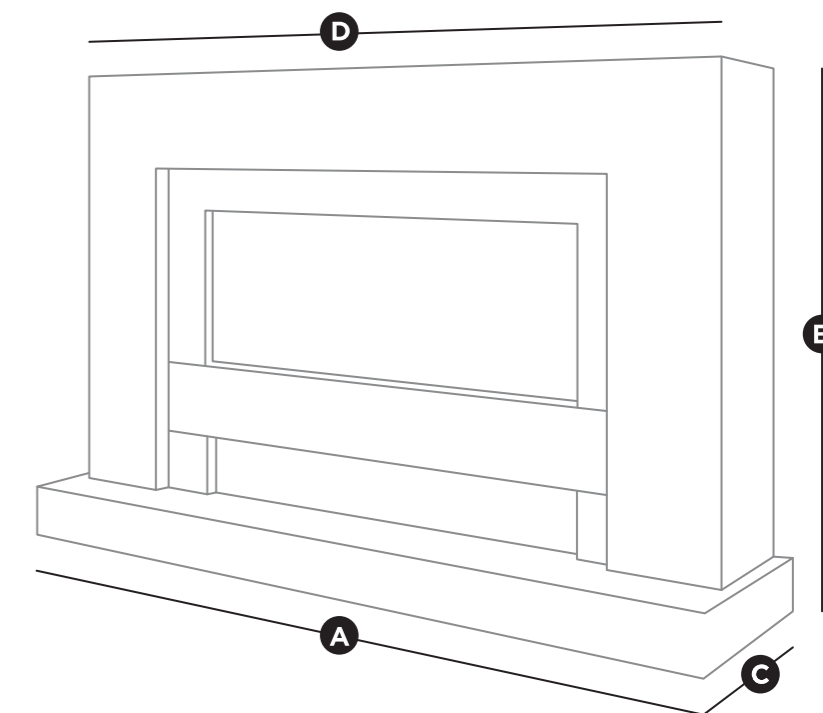


BE ASPEN

Our industry award winning **Electric Fireplace Suite of the Year**, the Aspen is full of character.

From its simple clean lines to its embedded log feature, this suite brings with it the personality you want from a modern style.

Combine this piece with one of our Premium Electric HD+ fires to create your dream fireplace.



| MODEL | A | B | C | D |
|-------|------|------|-----|------|
| 640 | 1295 | 1136 | 381 | 1244 |
| 890 | 1524 | 1003 | 381 | 1473 |
| 1170 | 1829 | 1003 | 381 | 1778 |

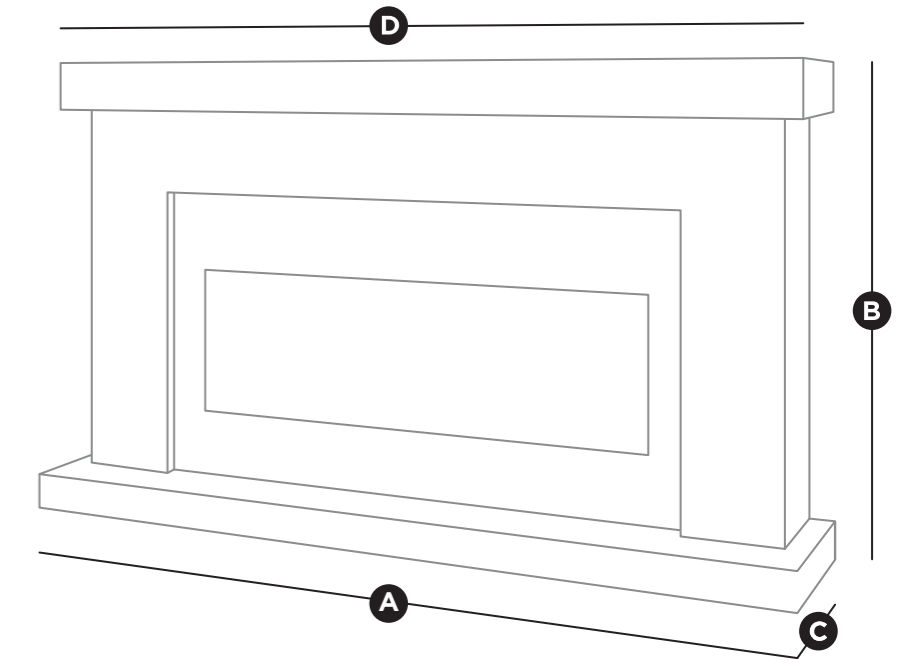


Aria 1170 variant
in Glacier & Spanish Grey

BF ARIA

Named after the famous Las Vegas executive hotel, the Aria is the essence of modern luxury electric suites. A new sensation in our range to complement a traditional or modern interior .

Combine this piece with one of our Premium Electric HD+ fires to create your dream fireplace.



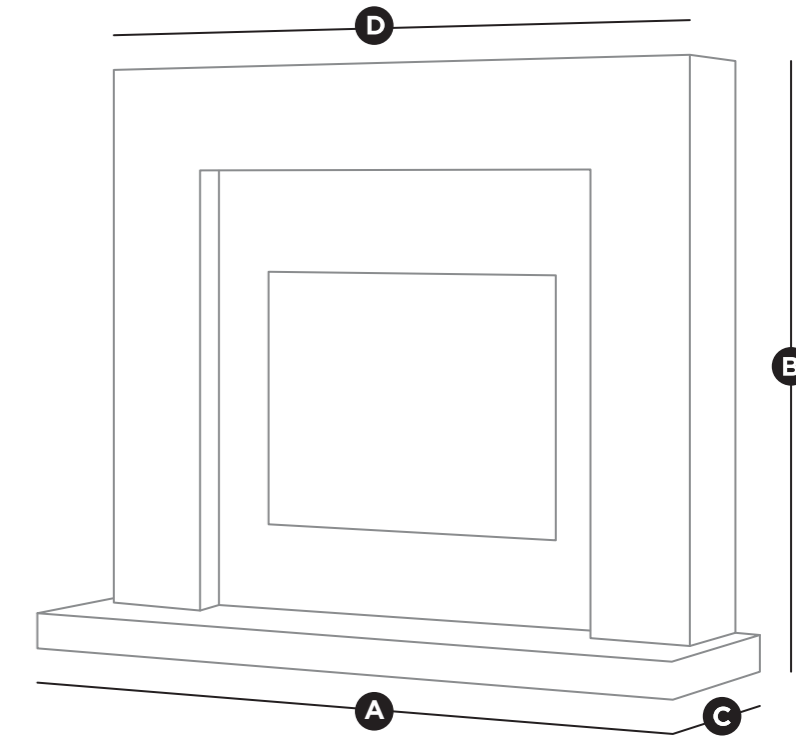
| MODEL | A | B | C | D |
|-------|------|------|-----|------|
| 640 | 1372 | 1137 | 381 | 1372 |
| 890 | 1524 | 1010 | 381 | 1524 |
| 1170 | 1829 | 1010 | 381 | 1829 |

Miami 640 variant
in Polar White & Glint Grey

MIAMI

An unashamed emphasis on the wow factor ensures the Miami suite lives up to its name. The fully integrated LED lighting display guarantees it will provide an unrivalled focal point for years to come.

Combine this piece with one of our Premium Electric HD+ fires to create your dream fireplace.



| MODEL | A | B | C | D |
|-------|------|------|-----|------|
| 640 | 1372 | 1136 | 381 | 1270 |
| 890 | 1524 | 920 | 381 | 1448 |
| 1170 | 1829 | 920 | 381 | 1752 |

Chelsea 640 variant
in Polar White & Nacarado

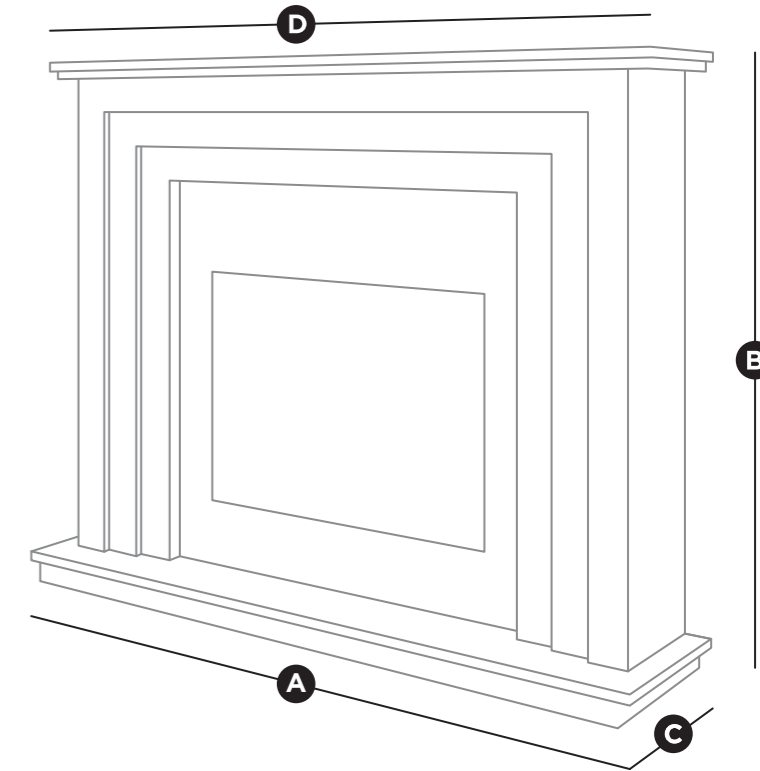


CHELSEA

Clean lines and a modern aspect establish the Chelsea suite as the epitome of class.

Perfect for any home seeking a touch of luxury, its timeless style makes a bold statement.

Combine this piece with one of our Premium Electric HD+ fires to create your dream fireplace.



| MODEL | A | B | C | D |
|-------|------|------|-----|------|
| 640 | 1372 | 1174 | 381 | 1372 |
| 890 | 1524 | 984 | 381 | 1524 |
| 1170 | 1829 | 984 | 381 | 1829 |



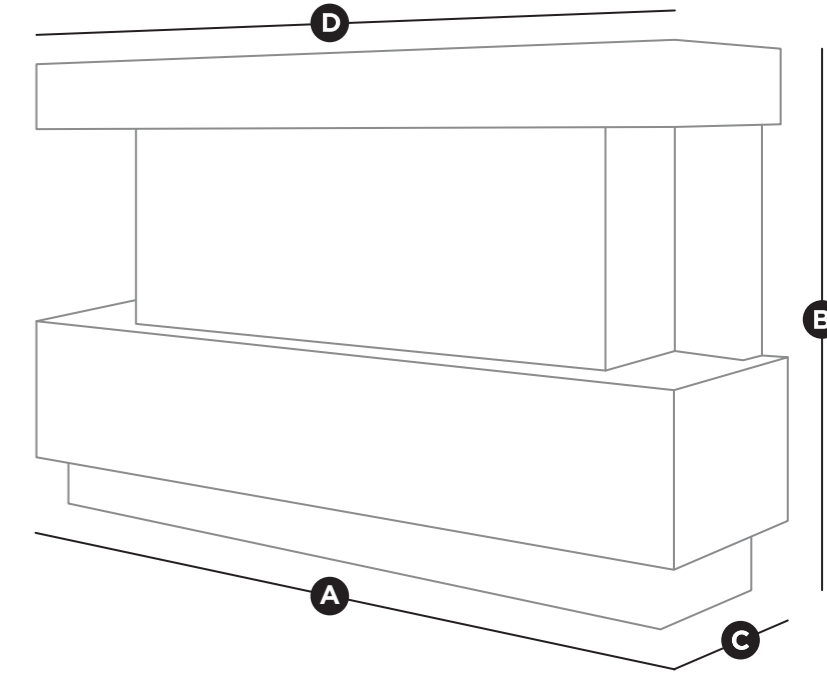
Roma 1250 variant
in Polar White & Carrara

ROMA

Add pure luxury and style to any home with the beautiful Roma suite.

Created from the very finest stone from around the world, the Roma is the pinnacle of its luxury fireplace class.

Featuring the Panoramic electric fire with **LUMIN Technology™** and full LED lighting system - the Roma has features to last a lifetime.



| MODEL | A | B | C | D |
|-------|------|------|-----|------|
| 700 | 1250 | 1148 | 406 | 1250 |
| 1250 | 1626 | 961 | 406 | 1626 |
| 1500 | 1829 | 961 | 406 | 1829 |
| 2000 | 2336 | 961 | 406 | 2336 |



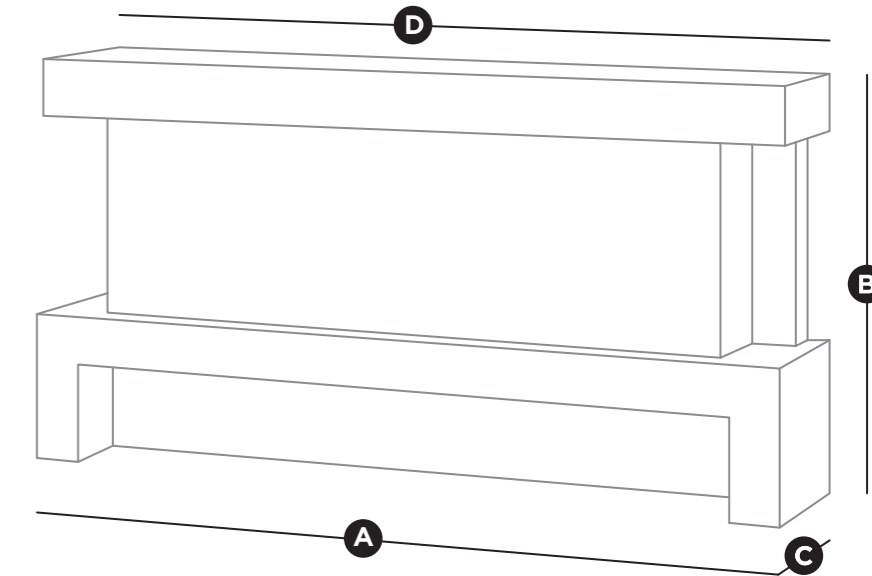
Milano 1500 variant
in Polar White

BF MILANO

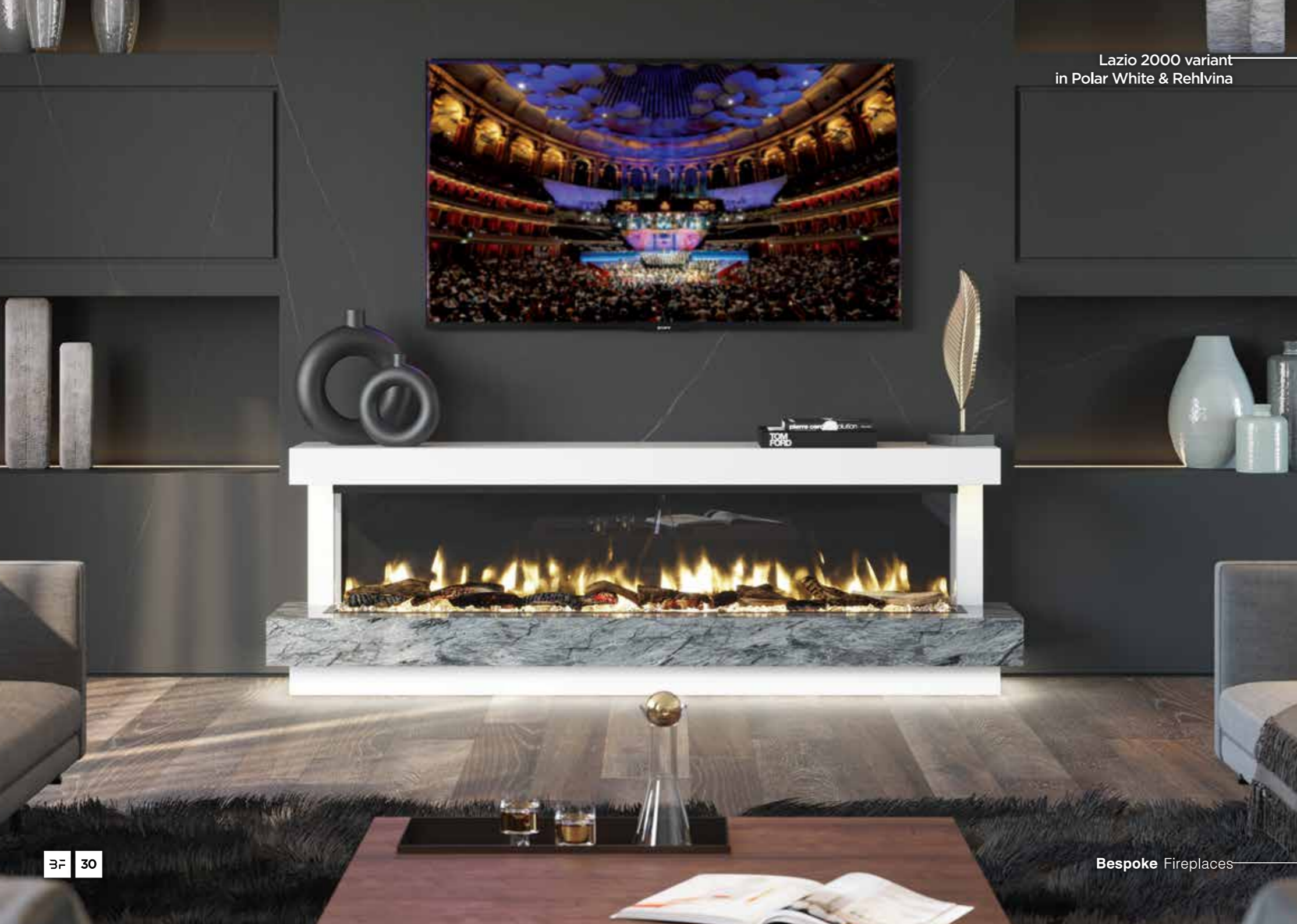
With a clean, elegant design, the Milano suite leads the way in wow factor appeal.

The Milano completes a luxury finish to any modern home - utilising the finest stone from around the world to create a sharp clean look.

Featuring the Panoramic electric fire with **LUMIN Technology™** and full LED lighting system - the Milano has features to last a lifetime.



| MODEL | A | B | C | D |
|-------|------|------|-----|------|
| 700 | 1250 | 1009 | 406 | 1250 |
| 1250 | 1626 | 822 | 406 | 1626 |
| 1500 | 1829 | 822 | 406 | 1829 |
| 2000 | 2286 | 822 | 406 | 2286 |



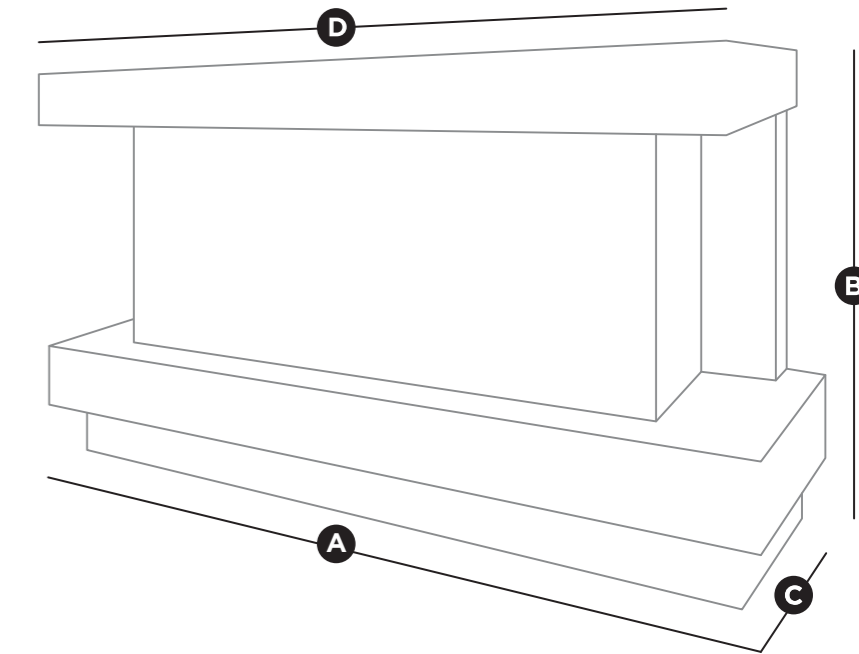
Lazio 2000 variant
in Polar White & Rehlvina

EF LAZIO

A striking focal point for the luxury home, the Lazio suite exudes culture and sophistication.

Created with the very finest stone from around the world, the Lazio is top of its class in luxury fireplace society.

Featuring the Panoramic electric fire with **LUMIN Technology™** and full LED lighting system - the Lazio has features to last a lifetime.



| MODEL | A | B | C | D |
|-------|------|-----|-----|------|
| 700 | 1250 | 970 | 406 | 1143 |
| 1250 | 1651 | 783 | 406 | 1549 |
| 1500 | 1905 | 783 | 406 | 1803 |
| 2000 | 2336 | 783 | 406 | 2235 |



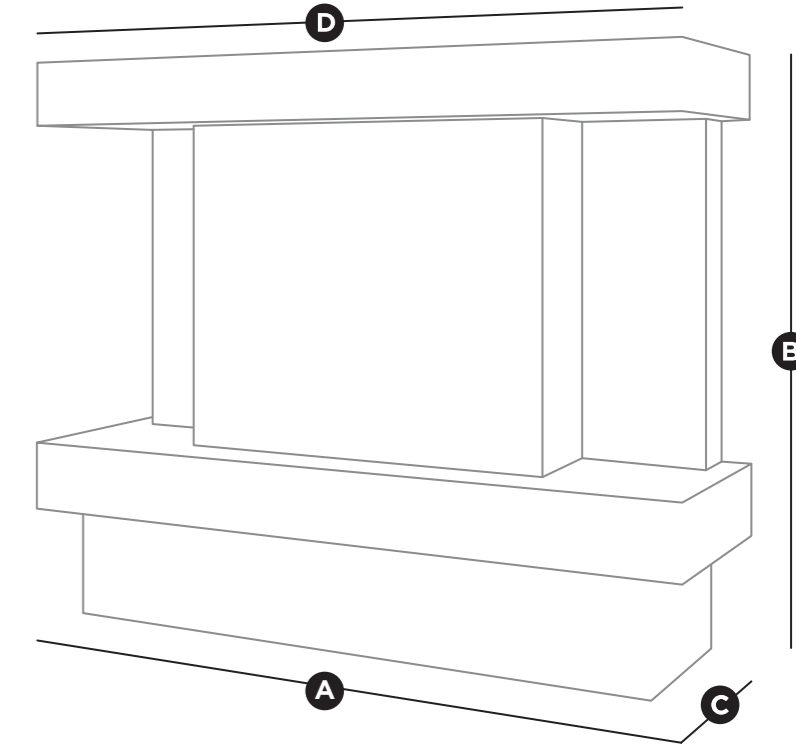
Verona 700 variant
in Semi Rijo

VERONA

Clean crisp edging gives the Verona suite a striking timeless look.

Transform your home with this luxury suite created from the very finest stone sourced from around the world.

Featuring the Panoramic electric fire with **LUMIN Technology™** and full LED lighting system - the Verona has features to last a lifetime.



| MODEL | A | B | C | D |
|-------|------|------|-----|------|
| 700 | 1250 | 1048 | 406 | 1250 |
| 1250 | 1626 | 861 | 406 | 1626 |
| 1500 | 1829 | 861 | 406 | 1829 |
| 2000 | 2286 | 861 | 406 | 2286 |



Our revolutionary three dimensional **LUMIN Technology™** screen ensures you can view your fire from angles like never before.

An impressive 180 degree viewing range gives a clear display from every angle of your room and creates an unrivalled illusion of flame depth.

Choose your look with the Panoramic range panel feature - simply remove side panels to reveal multiple viewing windows.

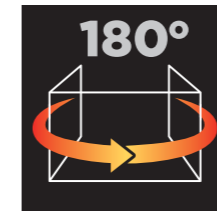
We guarantee more flame display than any other electric fireplace in the world.

LUMIN Technology™

Introducing **LUMIN Technology™** from Bespoke Fireplaces - a magnitude of industry leading functions and features with over **10,000 combinations** - including our unrivalled 3DP Three Dimensional Panoramic display system.



LUMIN LED TECHNOLOGY



180°
MULTI-SIDED VIEWING



MULTI-BLEND COLOUR PALETTE



3 SPEED FLAME CONTROL



HAND CRAFTED LUXE LOGS OPTION



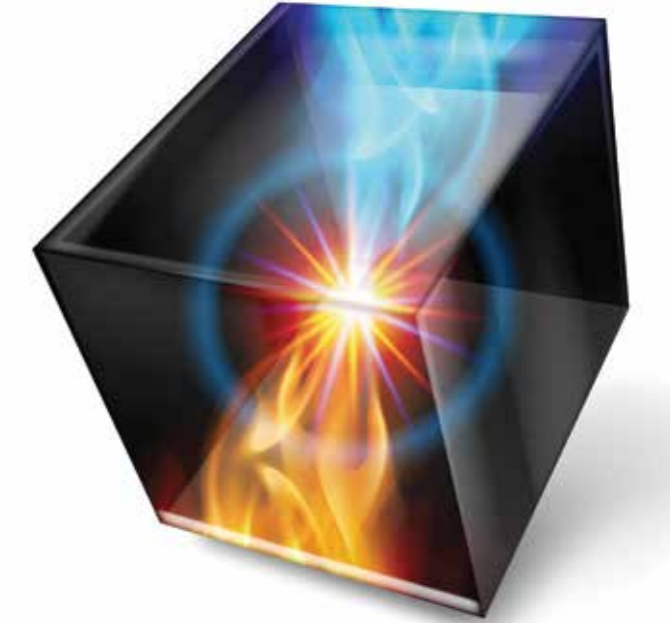
LUMIN MULTI FUEL PACKAGE



ULTRA DETAILED FUEL BED



REMOTE & MANUAL CONTROL





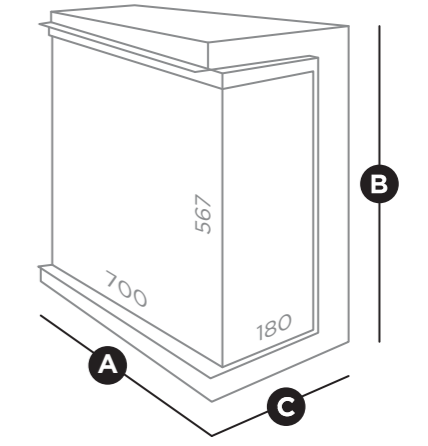
PF PANORAMIC 700

with LUMIN Technology™

Part of our market leading luxury range, our new generation Panoramic 700 built-in electric fire features our unique LUMIN Technology™.

With more features than any other electric fire in the world, the Panoramic 700 can be installed into one of our luxury marble suites or a custom Bespoke Media Wall.

Luxury, quality and performance are standard in the Bespoke Panoramic range.



| MODEL | A | B | C |
|-------|-----|-----|-----|
| 700 | 737 | 724 | 305 |



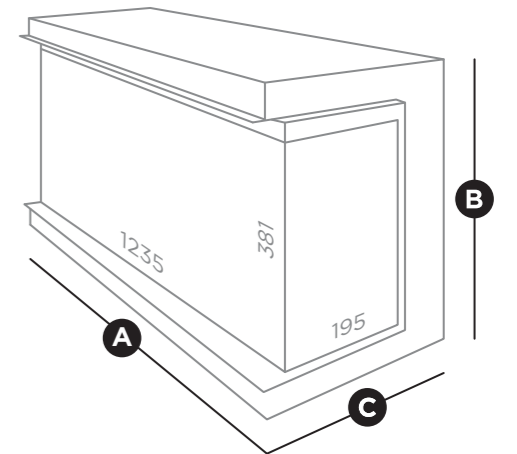
PF PANORAMIC 1250

with LUMIN Technology™

Part of our market leading luxury range, our new generation Panoramic 1250 built-in electric fire features our unique **LUMIN Technology™**.

With more features than any other electric fire in the world, the Panoramic 1250 can be installed into one of our luxury marble suites or a custom Bespoke Media Wall.

Luxury, quality and performance are standard in the Bespoke Panoramic range.



| MODEL | A | B | C |
|-------|------|-----|-----|
| 1250 | 1270 | 538 | 330 |



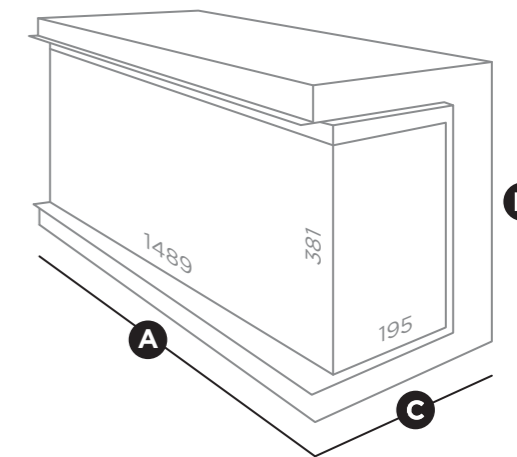
BF PANORAMIC 1500

with LUMIN Technology™

Part of our market leading luxury range, our new generation Panoramic 1500 built-in electric fire features our unique **LUMIN Technology™**.

With more features than any other electric fire in the world, the Panoramic 1500 can be installed into one of our luxury marble suites or a custom Bespoke Media Wall.

Luxury, quality and performance are standard in the Bespoke Panoramic range.



| MODEL | A | B | C |
|-------|------|-----|-----|
| 1500 | 1524 | 538 | 330 |



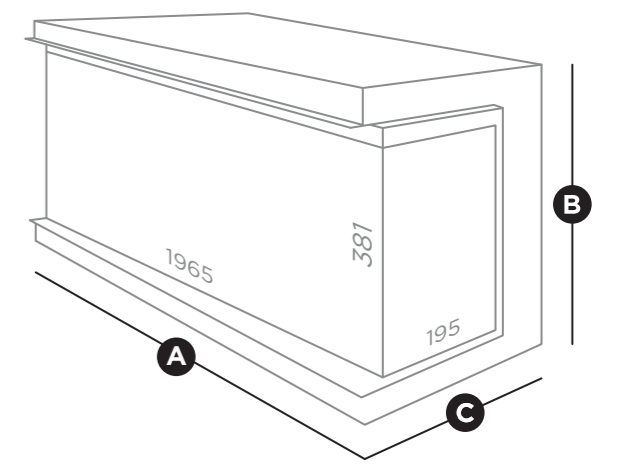
PF PANORAMIC 2000

with LUMIN Technology™

Part of our market leading luxury range, our new generation Panoramic 2000 built-in electric fire features our unique **LUMIN Technology™**.

With more features than any other electric fire in the world, the Panoramic 2000 can be installed into one of our luxury marble suites or a custom Bespoke Media Wall.

Luxury, quality and performance are standard in the Bespoke Panoramic range.



| MODEL | A | B | C |
|-------|------|-----|-----|
| 2000 | 2000 | 540 | 332 |

Trimless variant



BESPOKE 1170HD+

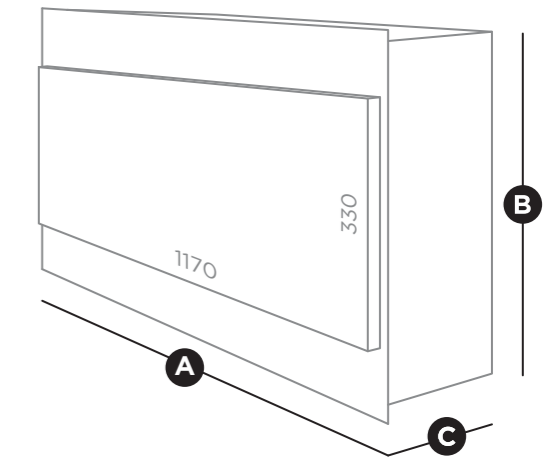
Create your perfect fire design with the Bespoke 1170 HD+.

Host to a clean and simplistic design, the trimless Bespoke 1170 HD+ allows you to be creative with the rest of your entertainment area.

MULTI-BLEND COLOUR PALETTE



INTERCHANGEABLE FUEL BEDS



| MODEL | A | B | C |
|---------|------|-----|-----|
| 1170HD+ | 1250 | 600 | 185 |

Trimless variant



Black Nickel Trim



Chrome Trim



BESPOKE 890HD+

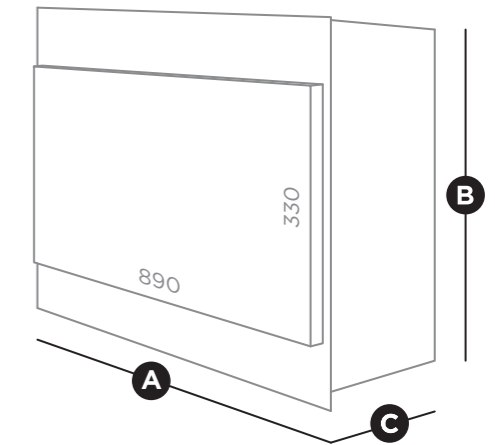
Create your perfect fire design with the Bespoke 890 HD+ range.

Keep things minimal yet effective by choosing the trimless option, or upgrade to one of our stunning fascia choices; chrome or black nickel.

MULTI-BLEND COLOUR PALETTE



INTERCHANGEABLE FUEL BEDS



| MODEL | A | B | C |
|--------|-----|-----|-----|
| 890HD+ | 965 | 600 | 185 |

Trimless variant



Black Nickel Trim



Chrome Trim



BESPOKE 640HD+

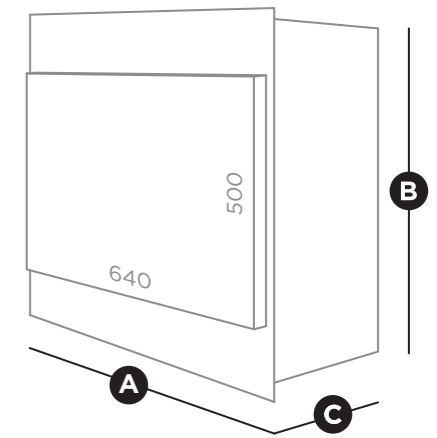
Create your perfect fire design with the Bespoke 640 HD+ range.

Keep things minimal yet effective by choosing the trimless option, or upgrade to one of our stunning fascia choices; chrome or black nickel.

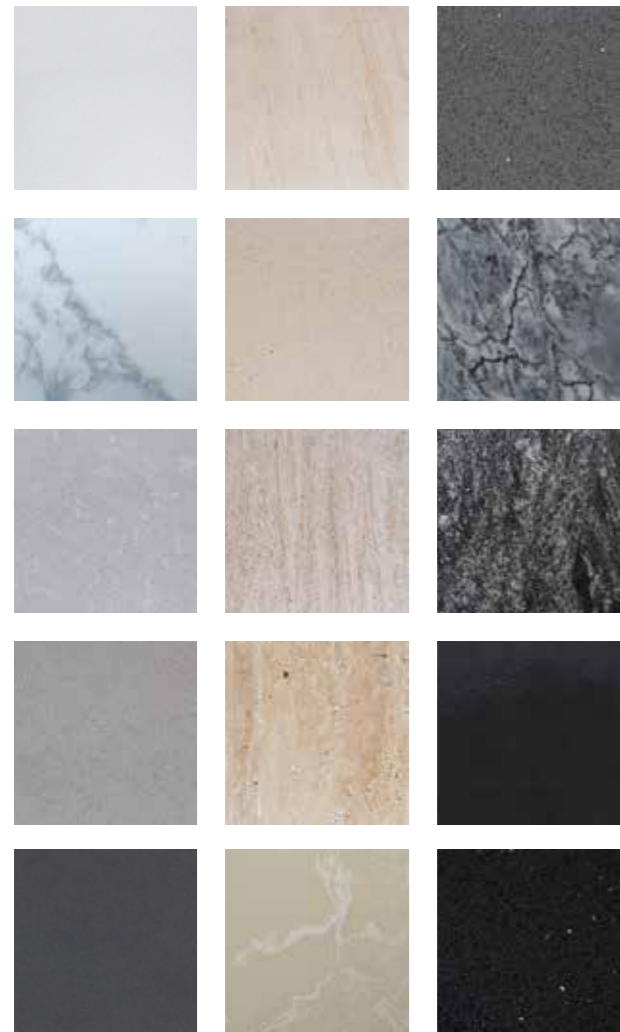
MULTI-BLEND COLOUR PALETTE



INTERCHANGEABLE FUEL BEDS



| MODEL | A | B | C |
|--------|-----|-----|-----|
| 640HD+ | 711 | 698 | 185 |



Our marble suites are made from 100% natural based materials and each have their own individual beauty. Photographs are for illustration purposes only and actual product may vary.

NATURAL BEAUTY

Our luxury marble fireplaces are manufactured from the very finest gradient stone sourced from across the globe. Mix our stunning colours to create the perfect combination for you.



Check out our sample stand at your local stockist to see our luxury stone up close.

PEACE OF MIND

Client aftercare is a vital part of our business - so we are proud to supply all of our products with a **Premium 3 Year Guarantee**.

Beyond that, our **Lifetime Peace of Mind Service** assures you, when your warranty expires, we will service or repair your product for a nominal fee and issue a brand new full year warranty from the date of our visit.

All product aftercare is undertaken by our friendly qualified technicians who understand that your satisfaction is our success.

Terms & Conditions apply.
For more information visit www.bespokefireplace.co.uk



www.bespokefireplace.co.uk